

- 1
- 2
- 3
- 4
- 5
- 6
- 7
- 8
- 9
- 10
- 11
- 12
- 13
- 14
- 15
- RH

GUIDE PROFILE

Polyethylene based (HMWPE) technopolymer, natural colour.

BRACKET

AISI 304 stainless steel.

STANDARD EXECUTIONS

- GLP-12: contact surface width of about 12 mm.
- GLP-32: contact surface width of about 32 mm.

FEATURES AND APPLICATIONS

GLP side guides are used for the side guide of products with different dimensions on conveyor belts (Fig.1), without leaving traces on the containers.

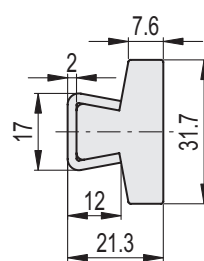
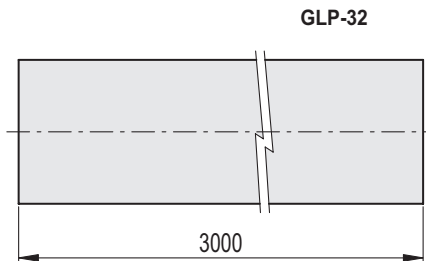
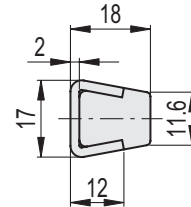
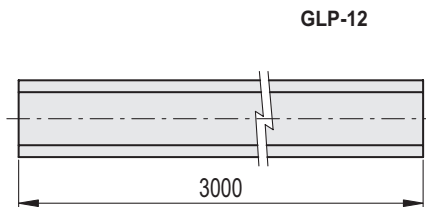
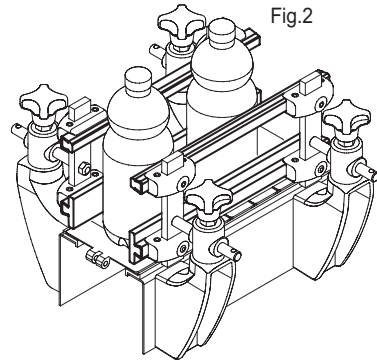
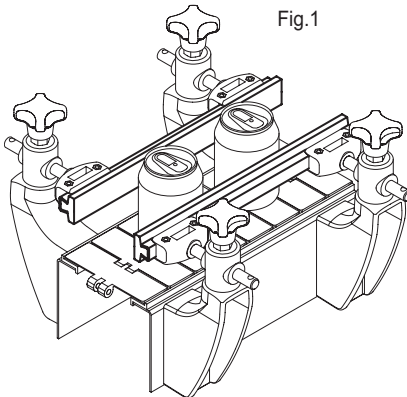
High molecular weight polyethylene (HMWPE) has a high wear resistance; it is particularly suitable for high-speed movements due to its low coefficient of friction.

Depending on the product to transport, it is recommended to use:

- GLP-12: for the guide of products with limited dimensions or for GLP-32 support (Fig.2);
- GLP-32: for the guide of products with important vertical dimensions. Supplied in bars of 3 meters length.

ACCESSORIES ON REQUEST

Guide rail clamps MPG-T-S, MPG-2T, MPG-T.



GLP-12

Code	Description	⚖️
419201	GLP-12-3000	2070

GLP-32

Code	Description	⚖️
419202	GLP-32-3000	2640

